

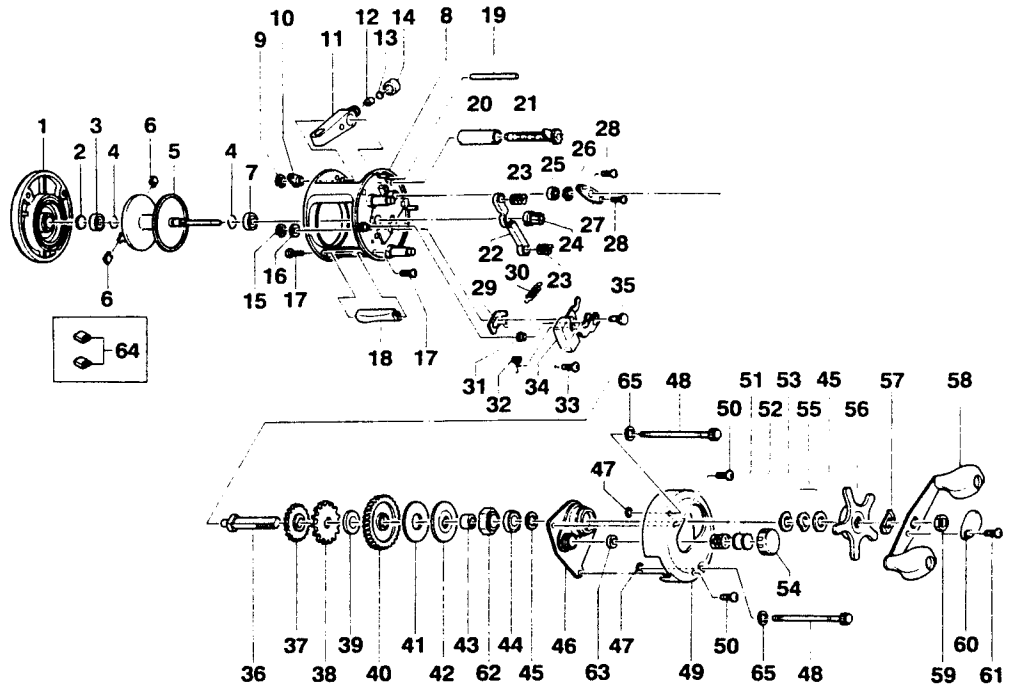
BROWNING MIDAS 6

SPECIFICATIONS:

- 6 Bearings
- 5.2:1 Gear Ratio
- 9.0 oz. Weight
- 165 yds./12 lb. Line Capacity

FEATURES:

- 1 piece die cast aluminum frame
- Thumb Button Spool Release
- Extra-wide, high-strength Gear System
- Machined Aluminum Spool
- Aluminum Side Covers
- Double Sealed stainless steel ball bearings
- Centrifugal Brake System
- Baitclicker



Key No.	Part No.	Description	Price	Key No.	Part No.	Description	Price
1	XX323-01	Left Side Cover Assy	19.21	33	XX050-01	Screw - Release Slider	.11
2	XX038-02	Spool Shaft Washer	.21	34	JX339-02	Release Slider Assy	1.80
3	JX106-01	Bearing - Spool Shaft	6.39	35	JX102-01	Post - Kick Lever Guide	.90
4	JX080-01	Clip Ring	.26	36	JX008-01	Crank Shaft	3.30
5	JX321-02	Spool Assy	21.63	37	JX112-01	O/S Drive Gear	.70
6	XX044-01	Brake Shoe B	.21	38	JX083-01	Trip Ratchet	1.00
7	JX106-01	Bearing - Spool Shaft	6.39	39	JX111-01	Washer - Ratchet	.50
8	JX301-02	Frame Assy	37.34	40	JX012-01	Drive Gear	8.70
9	QW120-01	E-Clip - Worm Shaft	.15	41	JX059-01	Drag Disc	.20
10	JX067-01	Bushing - Worm Shaft	.31	42	JX045-01	Drag "D" Washer	.90
11	JX347-02	Line Guide Carrier Assy	2.32	43	CW052-01	Sleeve - One Way Bearing	3.00
12	JX006-01	Line Guide Pawl	1.80	44	TW058-01	Bearing - Crank Shaft (U)	6.10
13	JX035-01	Washer - Line Guide Pawl	.21	45	JX038-01	Crank Shaft Washer	.30
14	JX007-02	Screw - Line Guide Carrier	.52	46	JX066-02	Crank Shaft Guide	3.30
15	NX092-01	E-Clip - Kick Lever Guide Post	.15	47	JX073-01	O-Ring - Thumb Screw	.30
16	XX035-01	Washer - Kick Lever Guide	.98	48	XX374-01	Thumb Screw Assy	2.60
17	JX050-01	Screw - Thumb Rest	.36	49	JX024-09	Right Side Cover	10.30
18	JX009-02	Thumb Rest	.62	50	QW123-05	Right Side Cover Screw	.60
19	JX061-01	Line Guide Carrier Guide	1.13	51	JX105-01	Spring - Tension Knob	.30
20	JX016-01	Worm Shaft Guide	.82	52	QW032-02	Washer - Spool Tension	.20
21	JX372-01	Worm Shaft Assy	7.88	53	JX082-01	Washer - Cushion	.80
22	JX025-01	Pinion Yoke	.62	54	XX033-01	Spool Tension Knob	2.80
23	JX040-01	Yoke Spring	.15	55	JX046-01	Spring "D" Washer	.70
24	JX011-01	Pinion Gear	6.13	56	XX355-02	Star Drag Assy	3.40
25	XX017-01	Bearing - Crank Shaft (L)	5.05	57	NX054-01	Handle Washer	.10
26	QW120-01	E-Clip - Crank Shaft	.15	58	JX318-02	Handle Assy	11.60
27	JX002-01	Retainer - Crank Shaft	.62	59	QW003-01	Handle Nut	.40
28	JX107-01	Screw - Crank Shaft Retainer	.15	60	QW034-03	Handle Nut Cap	1.00
29	JX077-01	Kick Lever	.62	61	QW123-05	Handle Nut Cap Screw	.60
30	JX097-01	Spring - Kick Lever	.21	62	UQ063-02	One Way Bearing	7.50
31	JX068-01	Bushing - Release Slider Guide	1.24	63	XX117-01	Bearing - Tension Knob	5.40
32	JX104-01	Spring - Release Slider	.21	65	JX121-01	Washer - Thumb Screw	.20

MODEL INTRODUCED	EFFECTIVE DATE OF PARTS LIST/DIAGRAM	Oct. 1996	DISCONTINUED	N/A
-------------------------	---	-----------	---------------------	-----

Prices subject to change without notice. Prices do not include postage and handling.

PLEASE ORDER BY PART NUMBER Zebco Division Brunswick Corporation, Box 270, Tulsa, OK 74101 USA 918-831-6965

